

Product Features

- Lever handle
- Single hole installation
- Ceramic cartridge
- Created for vessel-type sinks
- Includes pop-up drain
- Flow rate 2.2 gpm

Code Compliance

This unit meets or exceeds the following:

- ADA compliant

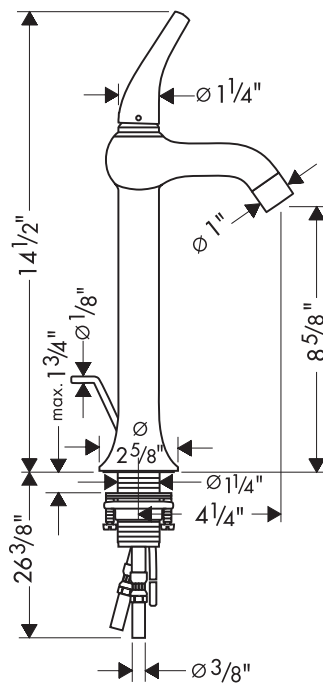
Available Finishes

Chrome

37020001

Brushed Nickel

37020821



The measurements shown are for reference only.

Products and specifications shown are subject to change without notice.

Specification sheet revised 3/2008